

CRYSTAL UNIT

AEC-Q200

YSX1612SC *Small Size*



Applications

- GPS Automotive electronics
- Industrial electronics.

Features

- Dimensions: 1.60 x 1.20 x 0.35 mm.
- Standard Frequency: 24~60MHz
- AEC-Q200 qualified
- Seam with vacuum Sealed for Ultra-small size

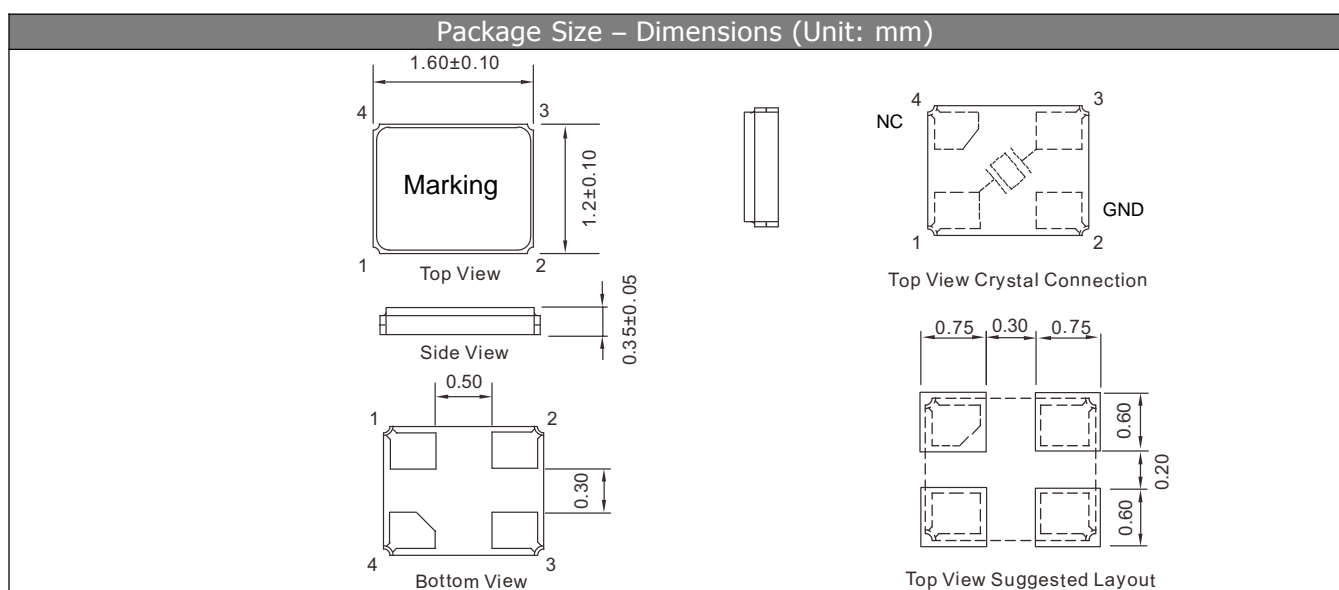
Specifications

Standard Frequency	24~60 MHz
Vibration Mode	AT Fundamental
Load Capacitance	8pF,9pF,12pF,or specify
Frequency Tolerance (at 25)	±10ppm,±30ppm,or specify
Frequency Versus Temperature Characteristics	±50ppm,or specify
Operating Temperature	-40~+125℃ , or specify
Storage Temperature	-55~+125℃ , or specify
Shunt Capacitance	3 pF Max.
Level of Drive	50 μWMax.
Aging (at 25 °C)	±2ppm/year Max.

Equivalent Series Resistance(ESR)

Fundamental	
24 ~ 40 MHz	150 Ω Max.
41 ~ 60 MHz	100 Ω Max.

Dimensions and Patterns [unit:mm]



CRYSTAL UNIT

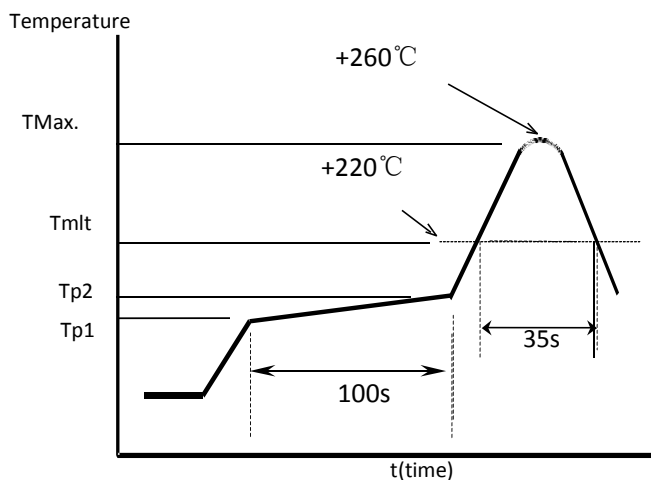
AEC-Q200

YSX1612SC *Small Size*

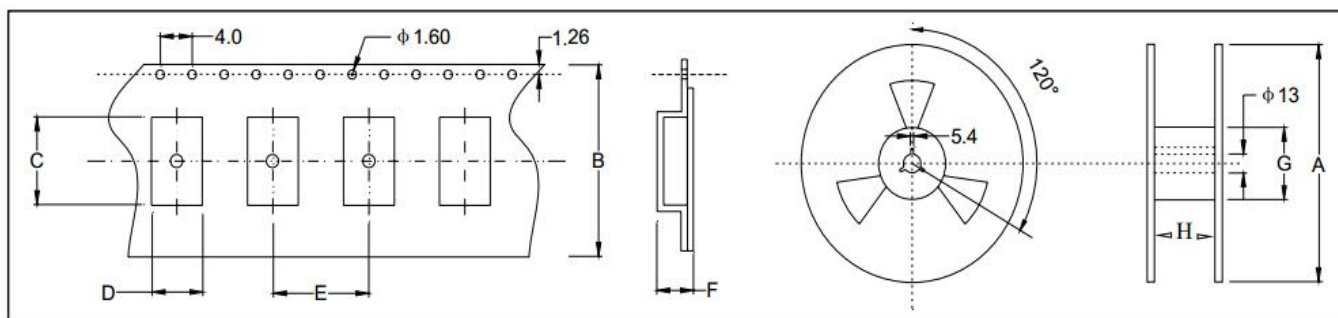


Reflow Soldering Profile

Pre Heating Temperature
 Tp1 ~ Tp2 = + 170 °C
 Heating Temperature
 TMI = + 220 °C
 Peak Temperature
 TMax. = + 260 °C
 Point of measuring
 In case of Solder ability
 Terminal.
 In case of Resistance to soldering heat
 Surface.



Taping Specification(Unit: mm)



Size	A	B	C	D	E	F	G	H
SMD-1612	180±2.0	8.0±0.3	1.85±0.1	1.45±0.1	4.0±0.1	0.45±0.1	61.0±1.0	8.0±1.0

3000 pcs per reel