

# PROGRAMMABLE CRYSTAL OSCILLATOR

## YSV310PR VCXO



### Applications

- 10 GB Ethernet, SONET, SATA, SAS, Fibre Channel

### Features

- Frequency range:10MHz-250MHz.
- Ultra Small SMD seam sealed crystal oscillator units.

- Package Size: 3.2\*2.5, 5.0\*3.2 7.0\*5.0mm.
- High precision characteristic covering up to wide frequency range.



## Specifications

Item/Type	SMD VCXO	CMOS
Frequency Range		10MHz to 250MHz,or specify
Supply Voltage		2.5V or 3.3V
Total Stability		±50ppm,or specify
Absolute Pull Range		±50ppm Min
Input Resistance		1Mohms Typ
Current		40mA Max
Output Load CMOS		15pF
Operating Temperature Range		-40~+85℃,or specify
Storage Temperature Range		-55~+125℃
Voltage Vol ( Max. ) / Vol ( Min. )		VOH = 90%Vdd/VOL = 10%Vdd
Input Voltage		VIH=70% Vcc Min,VIL=30% Vcc Max.
Duty Cycle		45~55%
Rise(Tr) /Fall(Tf) Time		4ns Max.
Start-up Time		10ms Max.
Phase Jitter(12KHZ~20MHZ)		1.0pS Typ.
Frequency Aging (at 25℃)		±3 ppm / year Max.

## Pin Dimension

Pin	#1	#2	#3	#4	#5	#6
FUNCTION	Vcon	NC	GND	OUT	NC	VDD

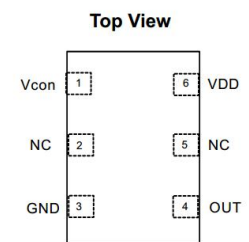


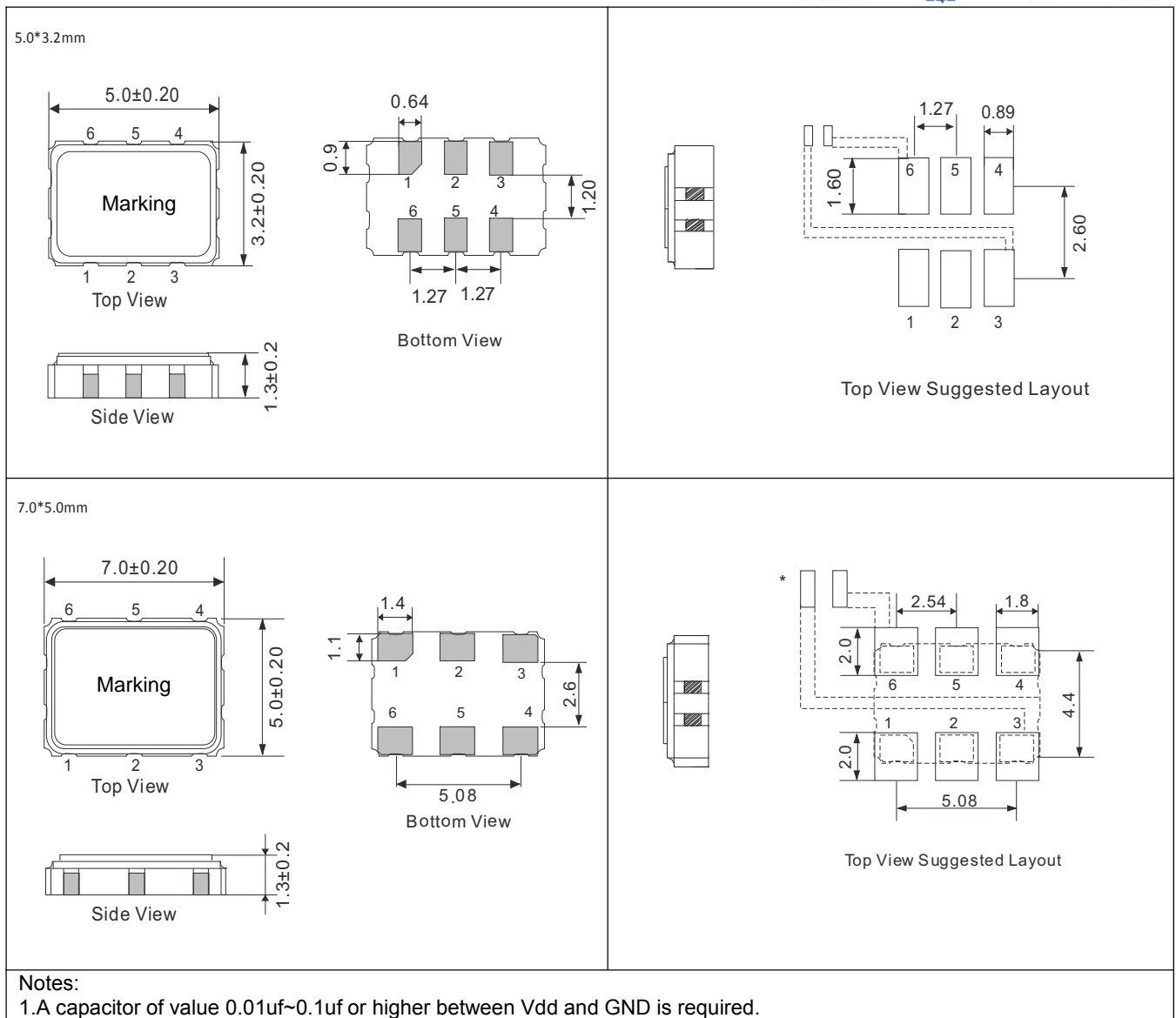
Figure 1. Pin Assignments

## Dimensions and Patterns [unit:mm]

Package Size – Dimensions (Unit: mm)	Recommended Land Pattern (Unit: mm)
<p>3.2*2.5mm</p>	

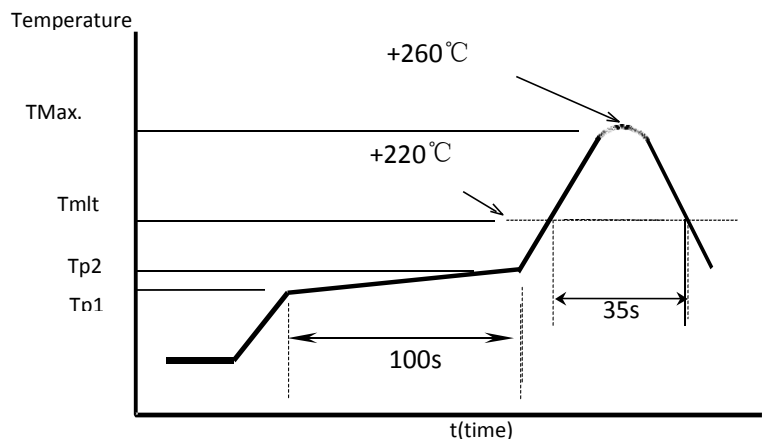
# PROGRAMMABLE CRYSTAL OSCILLATOR

## YSV310PR VCXO



### Reflow Soldering Profile

Pre Heating Temperature  $T_{p1} \sim T_{p2} = +170\text{ }^{\circ}\text{C}$   
 Heating Temperature  
 $T_{Mlt} = +220\text{ }^{\circ}\text{C}$   
 Peak Temperature  
 $T_{Max.} = +260\text{ }^{\circ}\text{C}$   
 Point of measuring  
 In case of Solder ability Terminal.  
 In case of Resistance to soldering heat Surface.

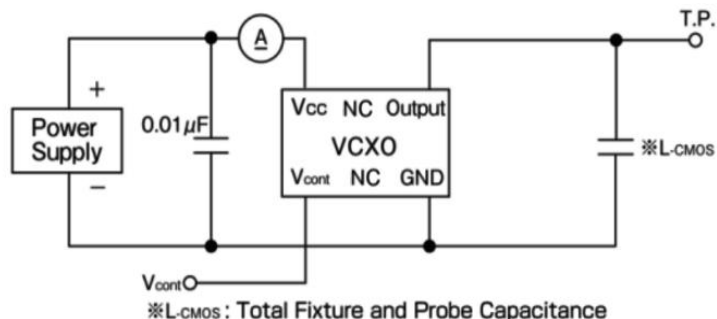


# PROGRAMMABLE CRYSTAL OSCILLATOR

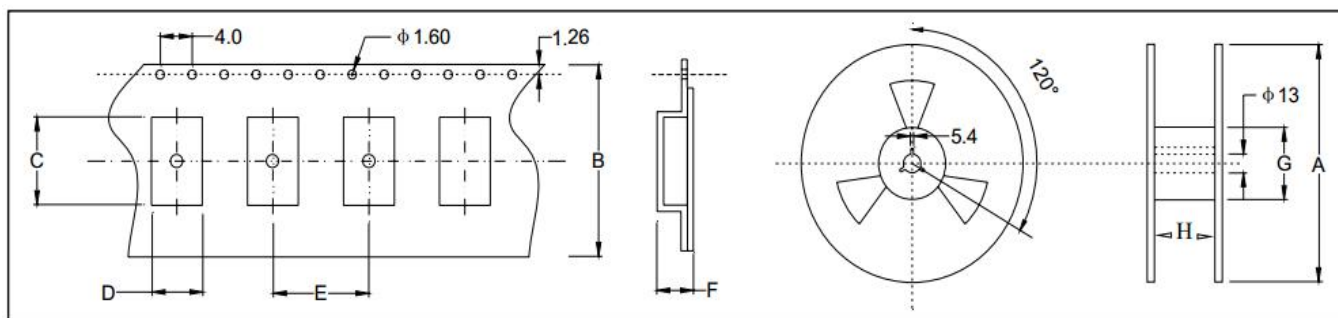
## YSV310PR VCXO



### Test Circuit



### Taping Specification(Unit: mm)



Size(OSC)	A	B	C	D	E	F	G	H
SMD-7050	180±2.0	16.0±0.3	7.50±0.1	5.50±0.1	8.0±0.1	2.00±0.1	61.0±1.0	16.0±1.0
SMD-5032	180±2.0	12.0±0.3	5.40±0.1	3.60±0.1	8.0±0.1	1.70±0.1	61.0±1.0	12.0±1.0
SMD-3225	180±2.0	8.0±0.3	3.40±0.1	2.70±0.1	4.0±0.1	1.50±0.1	61.0±1.0	8.0±1.0