

# CRYSTAL UNIT

## AEC-Q200

# YSX211SC *Small Size*



### Applications

- GPS Automotive electronics
- Industrial electronics.

### Features

- Dimensions: 2.05 x 1.65 x 0.50 mm.
- Standard Frequency: 16~72MHz
- High precision and high frequency stability.
- AEC-Q200 qualified.



## Specifications

Standard Frequency	16~72 MHz
Vibration Mode	AT Fundamental
Load Capacitance	8pF, 10pF, or specify
Frequency Tolerance (at 25 °C)	±10ppm, ±30ppm, or specify
Frequency Versus Temperature Characteristics	±50ppm, or specify
Operating Temperature	-40~+125°C or specify
Storage Temperature	-55~+125°C
Shunt Capacitance	3 pF Max.
Level of Drive	1~200µW Max. (100uW typical)
Aging (at 25 °C)	±2ppm/year Max.

## Equivalent Series Resistance(ESR)

Fundamental			
16 ~ 20 MHz	200 Ω Max.	26 ~ 40 MHz	100 Ω Max.
21 ~ 25 MHz	120 Ω Max.	41 ~ 72 MHz	60 Ω Max.

## Dimensions and Patterns [unit:mm]

Package Size – Dimensions (Unit: mm)	Recommended Land Pattern (Unit: mm)
<p>Top View</p> <p>Side View</p> <p>Bottom View</p>	<p>Top View Crystal Connection</p> <p>Top View Suggested Layout</p>

# CRYSTAL UNIT

## AEC-Q200

# YSX211SC *Small Size*



### Reflow Soldering Profile

Pre Heating Temperature

    Tp1 ~ Tp2 = + 170 °C

Heating Temperature

    TMI = + 220 °C

Peak Temperature

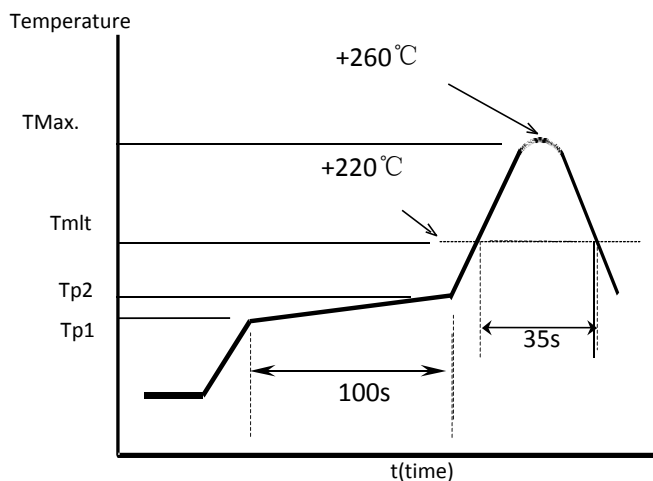
    TMax. = + 260 °C

Point of measuring

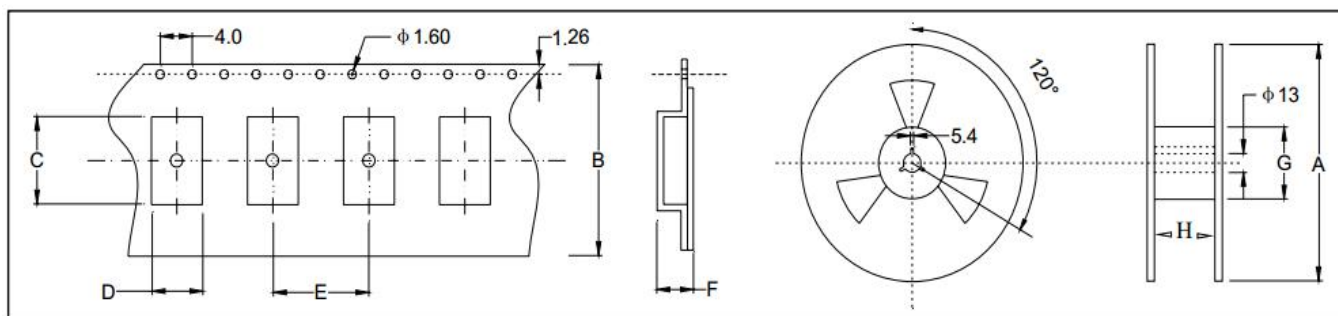
    In case of Solder ability

Terminal.

    In case of Resistance to soldering heat Surface.



### Taping Specification (Unit: mm)



Size	A	B	C	D	E	F	G	H
SMD-2016	180±2.0	8.0±0.3	2.30±0.1	1.90±0.1	4.0±0.1	0.95±0.1	61.0±1.0	8.0±1.0

3000 pcs per reel